

# North Devon Link Road (NDLR) (Portmore to Borners Bridge) Newsletter 2 (June 2021)

**GRIFFITHS**  
civil engineering and construction

## Progress and New Traffic Management Set Up

Site clearance work continued until the end of May along the verges of the A361 under ecological supervision from Landkey down to West Buckland Junction.

Following night-time closures of the A361 (17<sup>th</sup> - 28<sup>th</sup> May), semi-permanent traffic barriers have been installed to protect the construction areas and traffic. This means no more Temporary Traffic Lights on the A361, traffic can keep moving with a reduced speed limit of 40mph during construction work.

We would like to thank residents on the diversion route through Filleigh, Swimbridge and Landkey for their assistance in parking sensibly and their patience through this time.



Narrow lanes have been created 3.5m or 11'6" wide to enable us to fit in our work areas. (Photo above shows A361 taken 27<sup>th</sup> May 2021)

We have 24-hour recovery vehicle cover on site and a 24-Hour Traffic Contact number to the Traffic Safety Control Officer (TSCO) who will check and replace signage and coordinate movement of Abnormal Loads and arrange recovery of broken-down vehicles. We have two recovery vehicles on permanent stand by for Light and Heavy vehicles.

**For all issues Traffic Related contact TSCO on 07889 225393**

During the night-time closure period in May the TSCO escorted emergency services and some abnormal loads through the works area.

For all Traffic related matters 24/7 call Traffic Safety Control Officer (TSCO)

Tel: 07889 225393\*

Your Public Liaison Officer for the NDLR is Jim Aitken of Griffiths. He can be contacted.

E: [NDLR@alungriffiths.co.uk](mailto:NDLR@alungriffiths.co.uk)

T: 0330 041 4637\*

\* Calls to these numbers are charged at national call rates and included in inclusive minute plans from landlines and mobiles

Calls are monitored out of normal work hours and a voicemail facility is available.

Please check out our project website

[community.alungriffiths.co.uk](http://community.alungriffiths.co.uk)

If you would like to subscribe to receive future Newsletters and Bulletins, please click [HERE](#) and complete the online form for Mail Chimp. OR use this QR code below.

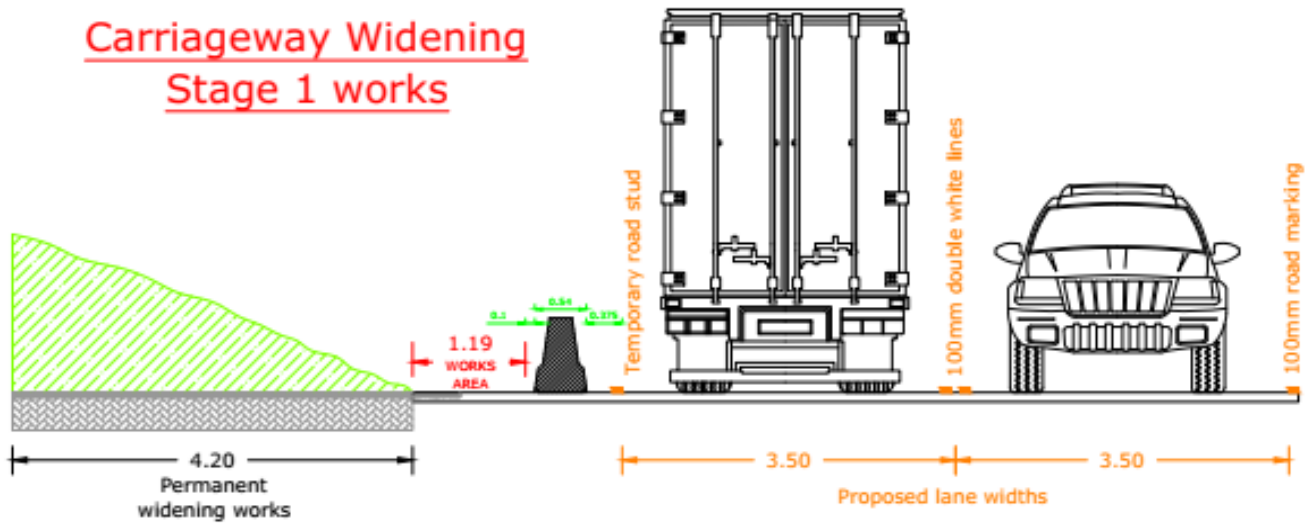


SCAN ME

## Progress (Continued)

The below drawing shows the configuration and segregation of works area and east and westbound lanes. Old lining has been removed and replaced with double white lines separating lanes.

No overtaking of moving vehicles is permitted within the confines of the construction area.



## Up Coming Work

The next phase of work following ground clearance is to mobilise plant and workforce to areas we shall be widening to begin construction work. We have established one compound near Landkey and we will create another near West Buckland near the A361 and also establish main site offices for administration near South Molton.

## Frequently Asked Questions

Some of the experts who are working on the project have answered Frequently Asked Questions (FAQ) about the project. This has been posted on the Griffiths NDLR Project Web pages that can be located at this link. <https://community.alungriffiths.co.uk/projects-in-your-area/north-devon-link-road/faq/>. It is not an exhaustive list and will be developed further as progress is made.

## Considerate Constructors Scheme



The project has been registered with the Considerate Constructors Scheme which aims to improve the image of our industry.

Construction sites register with the scheme and agree to abide by the Code of Considerate Practice, designed to encourage best practice beyond statutory requirements.

We will be monitored and scored by an independent assessor against this Code. The results will identify good practice and areas for improvement. We shall have approximately two inspections yearly and will share the results in future newsletters.

Griffiths have always performed well winning a Gold, two Silvers and several Bronze awards from CCS for projects in the South West over recent years.

For more information on the CCS please visit their website: [www.ccscheme.org.uk](http://www.ccscheme.org.uk)



## Barnstaple Construction Employer Event

Tuesday 9<sup>th</sup> March 2021  
10am – 12pm

Are you interested in Construction in the North Devon area? Do you want to find out more about employment and training opportunities in the sector?

Join us for a virtual construction employer event held via Teams.

The event will cover:

- Career opportunities in Construction (different roles and routes into the industry, our Wilmott Dixon Management Trainee Scheme etc.)
- Employment opportunities with Alun Griffiths Civil Engineering/Construction (Contractors working on the North Devon Link Road)
- Career and training opportunities from Advanced Scaffolding
- Training, apprentices, and career opportunities from ANY WELD
- Recruitment agencies Options Resources and ITS will talk about local employment opportunities in construction
- Behaviours and skills employers are looking for

To find out more and sign up, please message your Work Coach.



## Online Engagement with Job Centre Plus

On Tuesday 9<sup>th</sup> March Griffiths joined some other construction companies in an online event organised by Job Centre Plus and Wilmott Dixon speaking with local individuals seeking employment.

One of the organisers tweeted. *A very successful event this morning with Barnstaple Job Centre for our 'Employer Event' arranged in conjunction with Tony George. It was great to meet so many people looking to join the construction industry...! A special thank you to Liam Pollard from ITS Construction Personnel and Phil Sharp from Options Resourcing Limited for continuing to support me with these events. Your input is invaluable, and it is gratefully received. I also want to say a big thank you to Steve Saunders and Finley Craig from Griffiths for taking the time to talk to us about the new North Devon Link Road project and the opportunities this will bring to the North Devon job market...!*

## Orchids Found New Home

An eagle-eyed Orchid enthusiast approached us to see whether we could save some Orchid mascula (Early purple orchid) clumps he spotted on the verge within the area planned for clearance work along the A361.

The tiny purple spotted leaves were barely visible in the undergrowth but will bloom into the example right.

Working with our on-site ecologists who oversee the clearance work and satisfying the legality of removal of this common species, we were happy to oblige the request.



Department for Transport



You can get in touch via our web site [community.alungriffiths.co.uk](http://community.alungriffiths.co.uk) or by contacting our Public Liaison Officer Jim Aitken on 0330 041 4637\* or [NDLR@alungriffiths.co.uk](mailto:NDLR@alungriffiths.co.uk)

For all Traffic related matters call Traffic Safety Control Officer (TSOC) Tel: 07889 225393\*

\*Calls to this number are charged at national call rates and included in inclusive minute plans from landlines and mobiles



Follow us on Twitter @AlunGriffiths\_